

# CAPRA

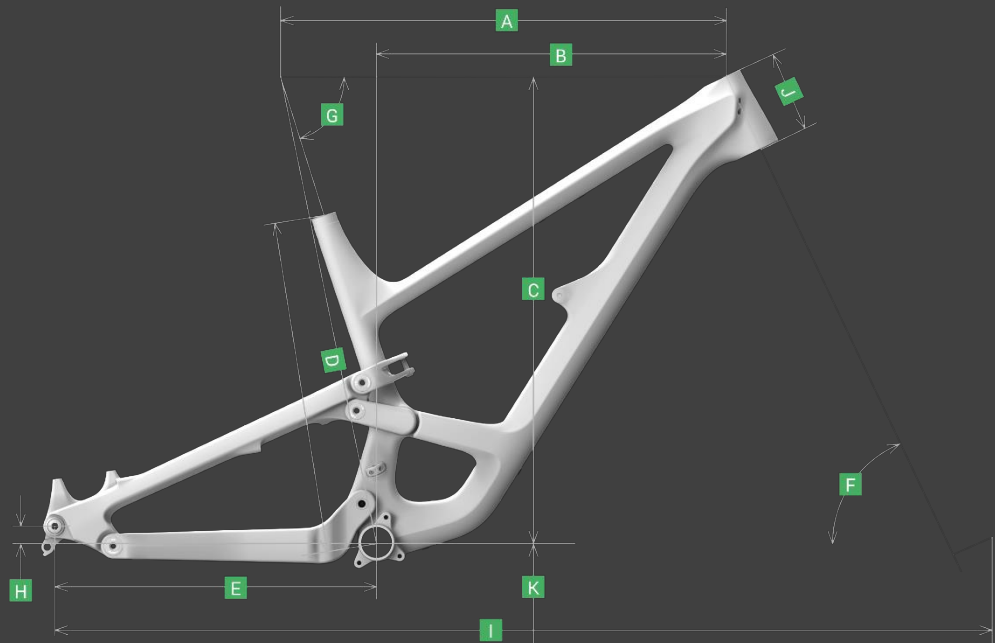


## CAPRA MX CORE 1 AL

FRAME	Alloy Frame	V4L   170 mm   148 x 12 mm   YT Thru Axle   UDH
FORK	MARZOCCHI Bomber Z1	29"   170 mm   RAIL 2.0   15x110 mm   44 mm Offset
SHOCK	MARZOCCHI Bomber Air	230 x 65 mm   Sweep Adjust   Custom Tune   0,2 Spacer
HEADSET	CANE CREEK Series 10	ZS44 ZS56   High Cap   2 Spacer 5 mm
STEM	YT STEM 35	50 mm   0° Rise   Black
HANDLEBAR	YT HANDLEBAR 35	800 mm   8° Back   6° Up   Black 30 mm Rise (S-M)   40 mm Rise (L-XL)
GRIPS	ODI ELITE MOTION V2.1	Lock-On
CRANKSET	SHIMANO FC-M512	170 mm   32T   12 speed
CHAINGUIDE	E13 Vario Enduro	105   28-32 T   Compact Slider   Bashguard
CASSETTE	SHIMANO DEORE CS-M6100	10-51T   12-Speed   Hyperglide+
DERAILLEUR	SHIMANO DEORE RD-M6100	12-Speed   Shadow+
SHIFTER REAR	SHIMANO DEORE SL-M6100	12-Speed   Rapidfire Plus   2-Way-Release
WHEELSET	SUNRINGLE SR309 Enduro Comp	29" 30 mm   110 x 15 mm   6-Bolt
	SUNRINGLE SR307 Enduro Comp	27,5" 30 mm   148 x 12 mm   6-Bolt   MS
TIRE FRONT	CONTINENTAL Kryptotal-Fr	29" x 2.4 WT   Super Soft   Enduro
TIRE REAR	CONTINENTAL Kryptotal-Re	27,5" x 2.4 WT   Soft   Enduro
BRAKES	SRAM DB8	Maxima Mineral Oil   Rotor CENTERLINE 220 mm   200 mm
SEATPOST	YT POSTMAN V2	Ø 31.6 mm   Adjustable drop 20 / 10 / 5 mm
	SHIMANO SL-MT500	125 mm (S)   150 mm (M)   170 mm (L-XL)   200 mm (XXL)
SADDLE	YT SADDLE	144 mm   Steel Rail   YT Custom Design
BOTTOM BRACKET	SHIMANO BB-MT501	BSA   24 mm

**COLOR: SLUDGE GREEN, BLACK MAGIC**

**SIZES: S,M,L,XL,XXL**



## CAPRA MX CORE 1 AL

Flipchip position	High					Low				
	S	M	L	XL	XXL	S	M	L	XL	XXL
A Toptube in mm	563	586	606	629	652	564	587	607	630	653
B Reach in mm	428	448	468	488	508	424	444	464	484	504
C Stack in mm	625	634	634	643	652	627	636	636	645	654
D Seattube in mm	395	420	445	470	495	395	420	445	470	495
E Chainstay in mm	432	432	432	437	437	433	433	433	438	438
F Headtube angle	64.3°	64.3°	64.3°	64.3°	64.3°	64.0°	64.0°	64.0°	64.0°	64.0°
G Seattube angle (eff)	77.8°	77.7°	77.7°	77.7°	77.6°	77.5°	77.4°	77.4°	77.4°	77.3°
H BB drop front / rear in mm	7 / 25	7 / 25	7 / 25	7 / 25	7 / 25	12 / 30	12 / 30	12 / 30	12 / 30	12 / 30
I Wheelbase in mm	1198	1222	1242	1271	1296	1199	1223	1243	1272	1297
J Headtube in mm	100	110	110	120	130	100	110	110	120	130
K BB height in mm	351	351	351	351	351	346	346	346	346	346
L Standover height in mm	747	739	737	748	745	743	735	733	744	741

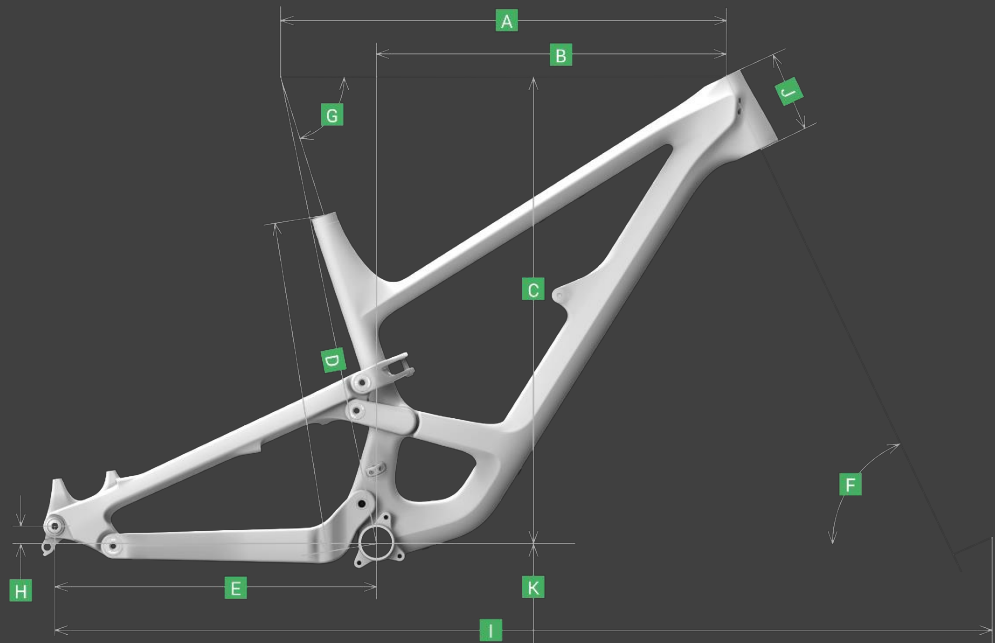


## CAPRA 29 CORE 1 AL

FRAME	Alloy Frame	V4L   165 mm   148 x 12 mm   YT Thru Axle   UDH
FORK	MARZOCCHI Bomber Z1	29"   170 mm   RAIL 2.0   15x110 mm   44 mm Offset
SHOCK	MARZOCCHI Bomber Air	230 x 65 mm   Sweep Adjust   Custom Tune   0,2 Spacer
HEADSET	CANE CREEK Series 10	ZS44 ZS56   High Cap   2 Spacer 5 mm
STEM	YT STEM 35	50 mm   0° Rise   Black
HANDLEBAR	YT HANDLEBAR 35	800 mm   8° Back   6° Up   Black 30 mm Rise (S-M)   40 mm Rise (L-XL)
GRIPS	ODI ELITE MOTION V2.1	Lock-On
CRANKSET	SHIMANO FC-M512	170 mm   32T   12 speed
CHAINGUIDE	E13 Vario Enduro	105   28-34 T   Compact Slider   Bashguard
CASSETTE	SHIMANO DEORE CS-M6100	10-51T   12-Speed   Hyperglide+
DERAILLEUR	SHIMANO DEORE RD-M6100	12-Speed   Shadow+
SHIFTER REAR	SHIMANO DEORE SL-M6100	12-Speed   Rapidfire Plus   2-Way-Release
WHEELSET	SUNRINGLE SR309 Enduro Comp	29" 30 mm   110 x 15 mm   6-Bolt 29" 30 mm   148 x 12 mm   6-Bolt   MS
TIRE FRONT	CONTINENTAL Kryptotal-Fr	29" x 2.4 WT   Super Soft   Enduro
TIRE REAR	CONTINENTAL Kryptotal-Re	29" x 2.4 WT   Soft   Enduro
BRAKES	SRAM DB8	Maxima Mineral Oil   Rotor CENTERLINE 220 mm   200 mm
SEATPOST	YT POSTMAN V2	Ø 31.6 mm   Adjustable drop 20 / 10 / 5 mm
SADDLE	SHIMANO SL-MT500	125 mm (S)   150 mm (M)   170 mm (L-XL)   200 mm (XXL)
SADDLE	YT SADDLE	144 mm   Steel Rail   YT Custom Design
BOTTOM BRACKET	SHIMANO BB-MT501	BSA   24 mm

**COLOR: SLUDGE GREEN, BLACK MAGIC**

**SIZES: S, M, L, XL, XXL**



## CAPRA 29 CORE 1 AL

Flipchip position	High					Low				
Frame size	S	M	L	XL	XXL	S	M	L	XL	XXL
A Toptube in mm	562	585	605	628	651	563	586	606	629	652
B Reach in mm	430	450	470	490	510	427	447	467	487	507
C Stack in mm	623	632	632	641	650	625	634	634	643	652
D Seattube in mm	395	420	445	470	495	395	420	445	470	495
E Chainstay in mm	437	437	437	442	442	438	438	438	443	443
F Headtube angle	64.5 °	64.5 °	64.5 °	64.5 °	64.5 °	64.2 °	64.2 °	64.2 °	64.2 °	64.2 °
G Seattube angle (eff)	78.0 °	77.9 °	77.9 °	77.9 °	77.8 °	77.7 °	77.6 °	77.6 °	77.6 °	77.5 °
H BB drop	22	22	22	22	22	27	27	27	27	27
I Wheelbase in mm	1203	1227	1247	1276	1301	1204	1228	1248	1277	1302
J Headtube in mm	100	110	110	120	130	100	110	110	120	130
K BB height in mm	354	354	354	354	354	349	349	349	349	349
L Standover height in mm	749	741	739	750	747	745	737	735	746	743